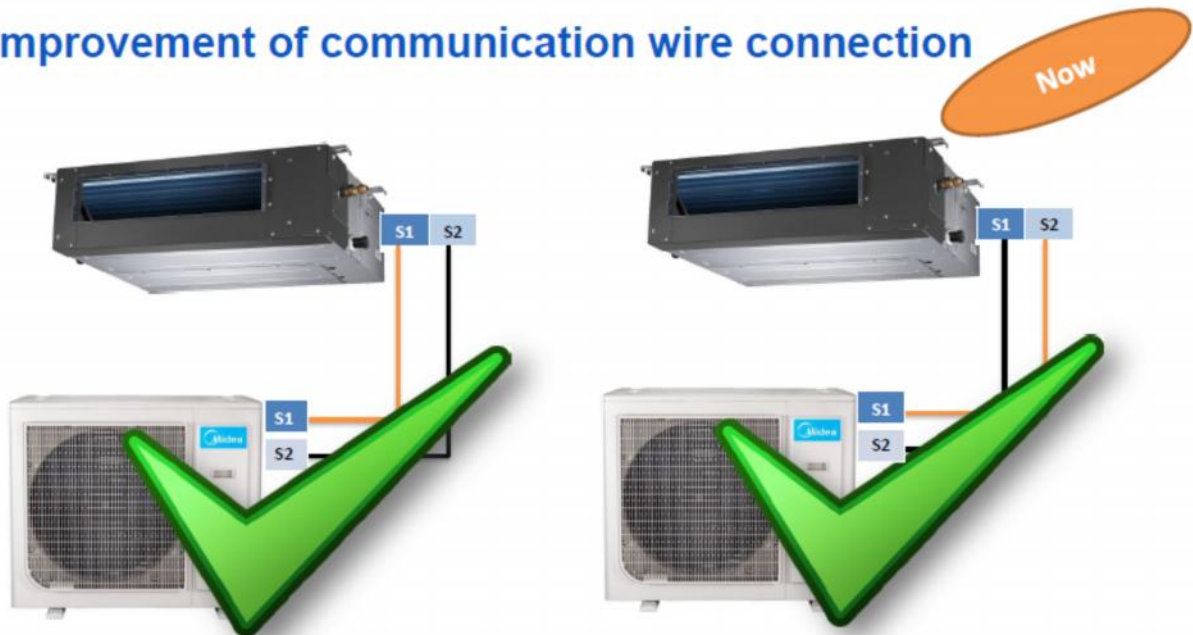


SkyTek – light commercial air conditioners

ERP 3 (2015)

Improvement of communication wire connection

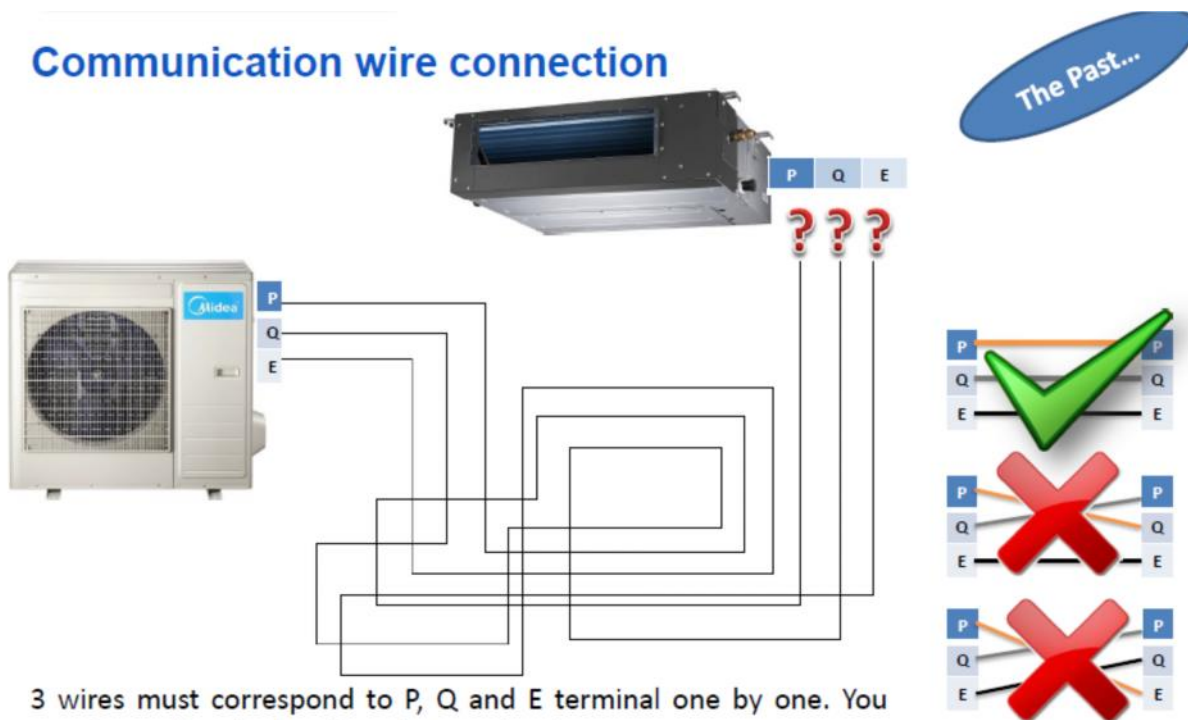


Only two connection wires and without polarity, which can hardly make mistakes.

For specific models P terminal is S1 terminal; Q terminal is S2 terminal; E terminal – not used.

ERP & ERP2 (2013 – 2014)

Communication wire connection



3 wires must correspond to P, Q and E terminal one by one. You may be confused when the wires are too long.